



Sovitron Interior Pvt.Ltd.



Model Name

SILAS-R4230 Wall Light/DL-OUC-R4230-11

Description

Wall light

Technical description

Image

Dimension

L=165mm,W=115mm
H=80mm

Frame

Aluminium Die-cast

Color Tempertaure

3000K

Power

11W

Total Luminous Flux

370 lm

Efficacy

33.6 lm/W

IP rating

65

Beam angle

2X55°

Color Rendering

≥80

Mounting

Surface

Optics

Clear Tempered glass

Dimming

NON-Dimmable

Operating Voltage

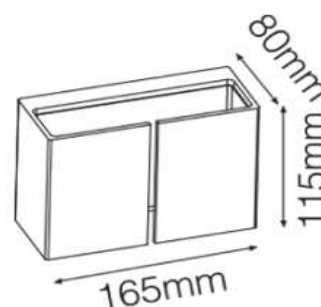
220-240 VAC

Standard Lifetime

L70 minimum at 50,000
burning hours



Dimension diagram



Remarks:-

Address: Plot #7 Saroorpur-Nangla Industrial Area,Ballabgarh-Sohna Road,Faridabad-121005

Email: info@sovitron.com